

AXIS


Revision 0

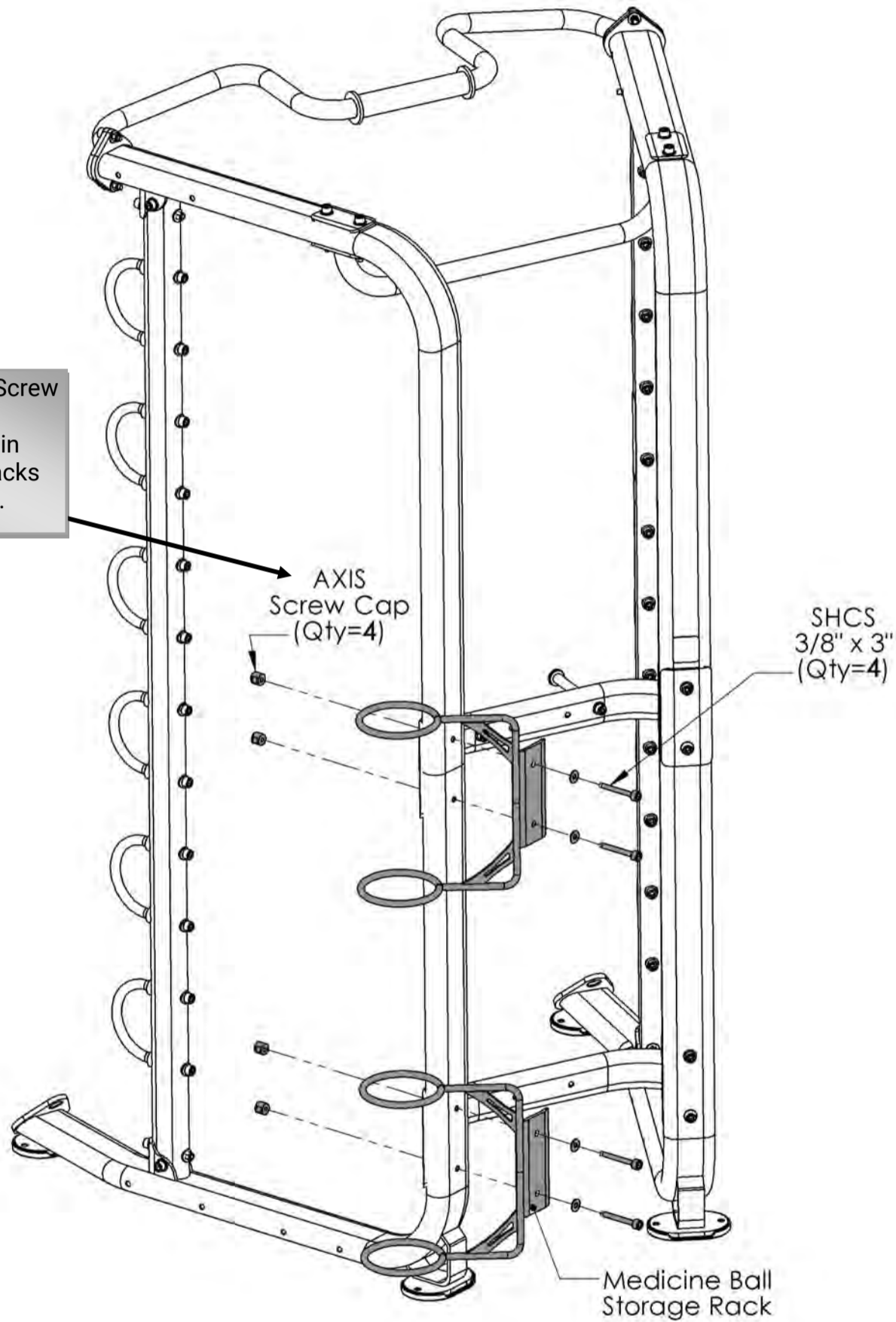
June 2018

Optional Med Ball Storage

Assembly Instructions

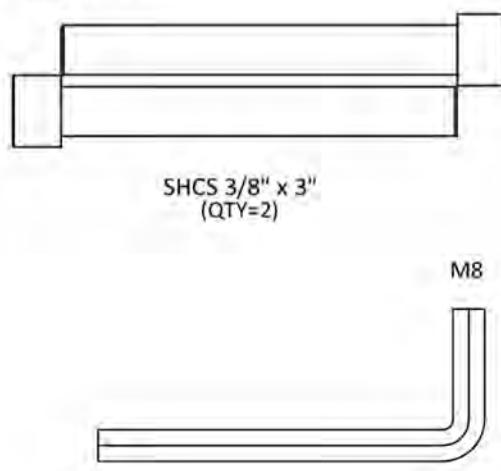
**Pictured with two individually sold
Optional Med Ball Storage Racks*

 The chrome AXIS Screw Caps and 3/8" Flat Washers are packaged in the Hardware Blister Packs for the Main AXIS Units.



Hardware Blister Pack

Step 1:



**Hardware listed is for one Optional Med Ball Storage Rack*

Part #	Description	Qty
BFM-11147	Medicine Ball Storage Rack	1
BFH-50323	FHSCS 3/8" x 3"	2