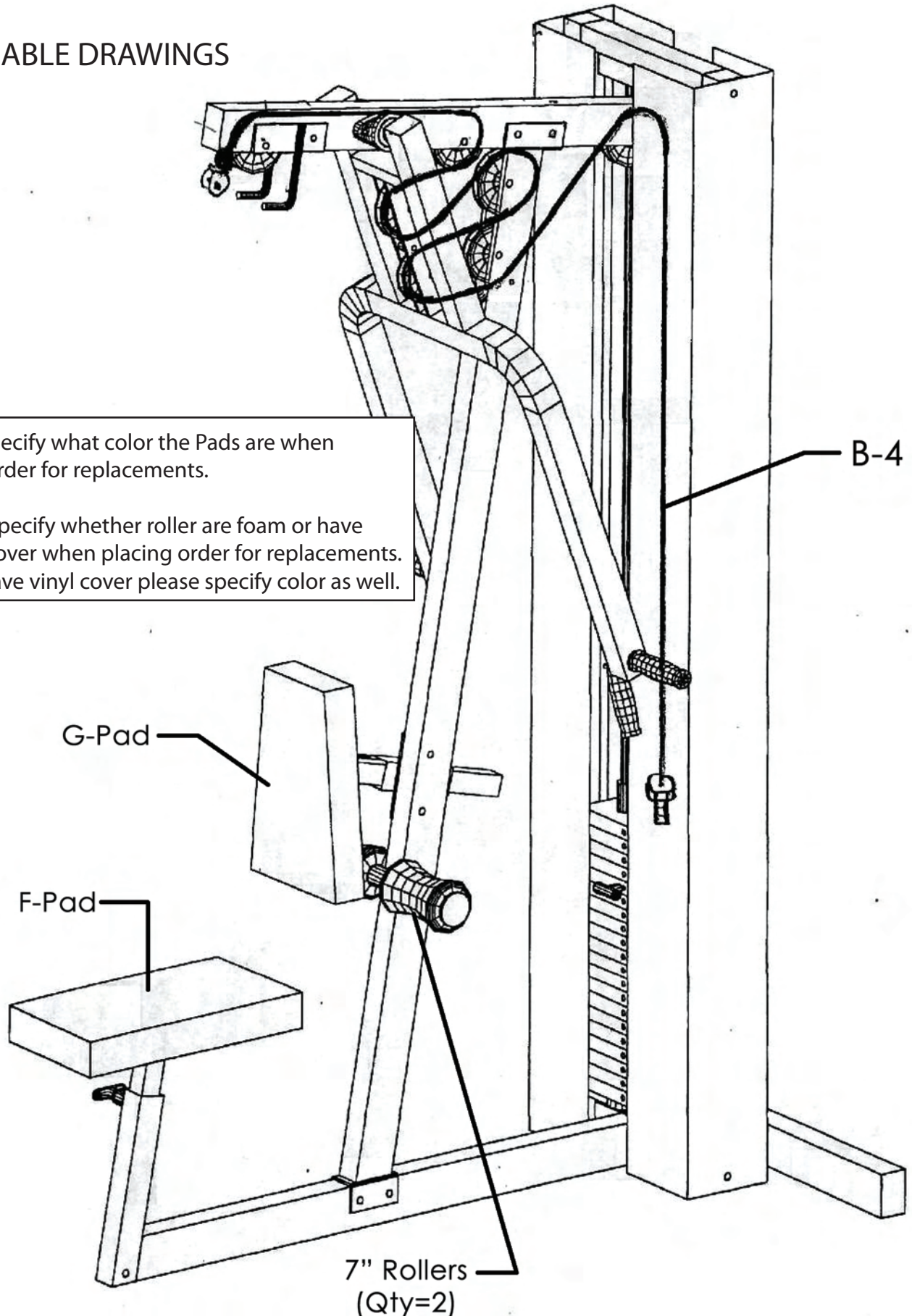


MC-2 CABLE DRAWINGS

* Please specify what color the Pads are when placing order for replacements.

** Please specify whether roller are foam or have a vinyl cover when placing order for replacements. If they have vinyl cover please specify color as well.



Part Number	Description	Qty
B-4	Weight Stack to Lat Pull Cable	1
*F-Pad	Seat Pad	1
*G-Pad	Chest Pad	1
**7" Roller	Foam or Upholstered Roller	2