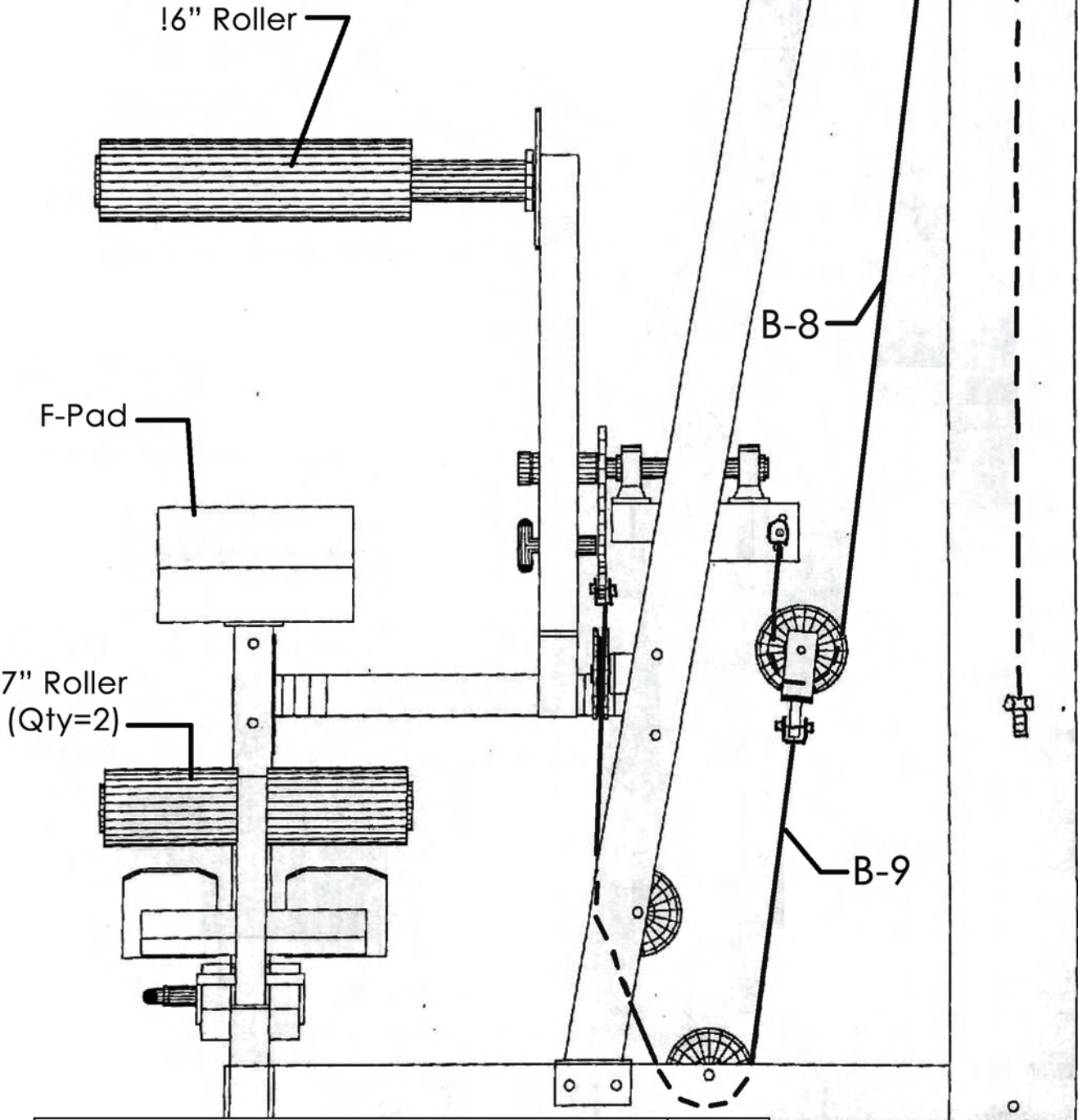


MC-5 CABLE DRAWINGS

* Please specify what color the Pads are when placing order for replacements.

** Please specify whether roller are foam or have a vinyl cover when placing order for replacements. If they have vinyl cover please specify color as well.



Part Number	Description	Qty
B-8	Weight Stack to Lockout Cable	1
B-9	Free Floater to Ab/Back Ext Cam Cable	1
*F-Pad	Seat Pad	1
**7" Roller	Foam or Upholstered Roller	2
**16" Roller	Foam or Upholstered Roller	1