



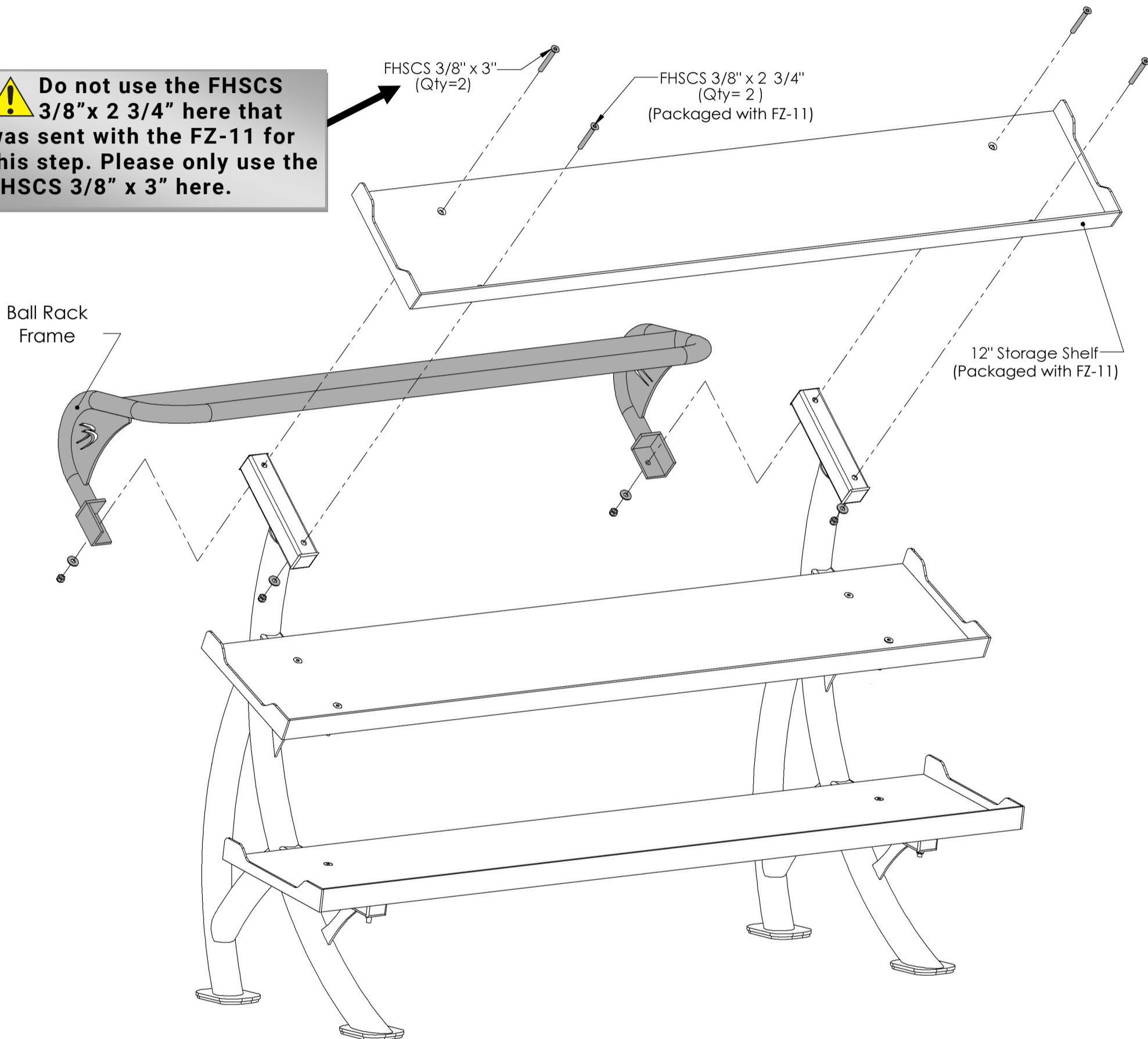
FUSION

F R E E W E I G H T / B O D Y W E I G H T

Revision 0
June 2018

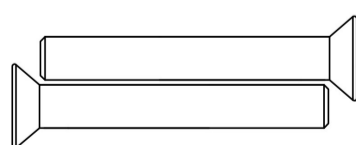
FZ-11 Optional Ball Rack FZ-11BR

! Do not use the FHSCS 3/8" x 2 3/4" here that was sent with the FZ-11 for this step. Please only use the FHSCS 3/8" x 3" here.

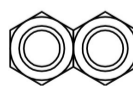


Hardware Blister Pack

Step 1:

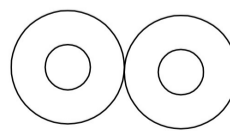


FHSCS 3/8" x 3"
(QTY=2)



3/8" Nylock
(QTY=2)

M6



3/8" Flat Washer
(QTY=2)



Part #	Description	Qty
BFM-11145	Ball Rack Frame	1
BFH-50323	FHSCS 3/8" x 3"	2
BFH-50146	3/8" Flat Washer	2
BFH-50157	3/8" Nylock	2

