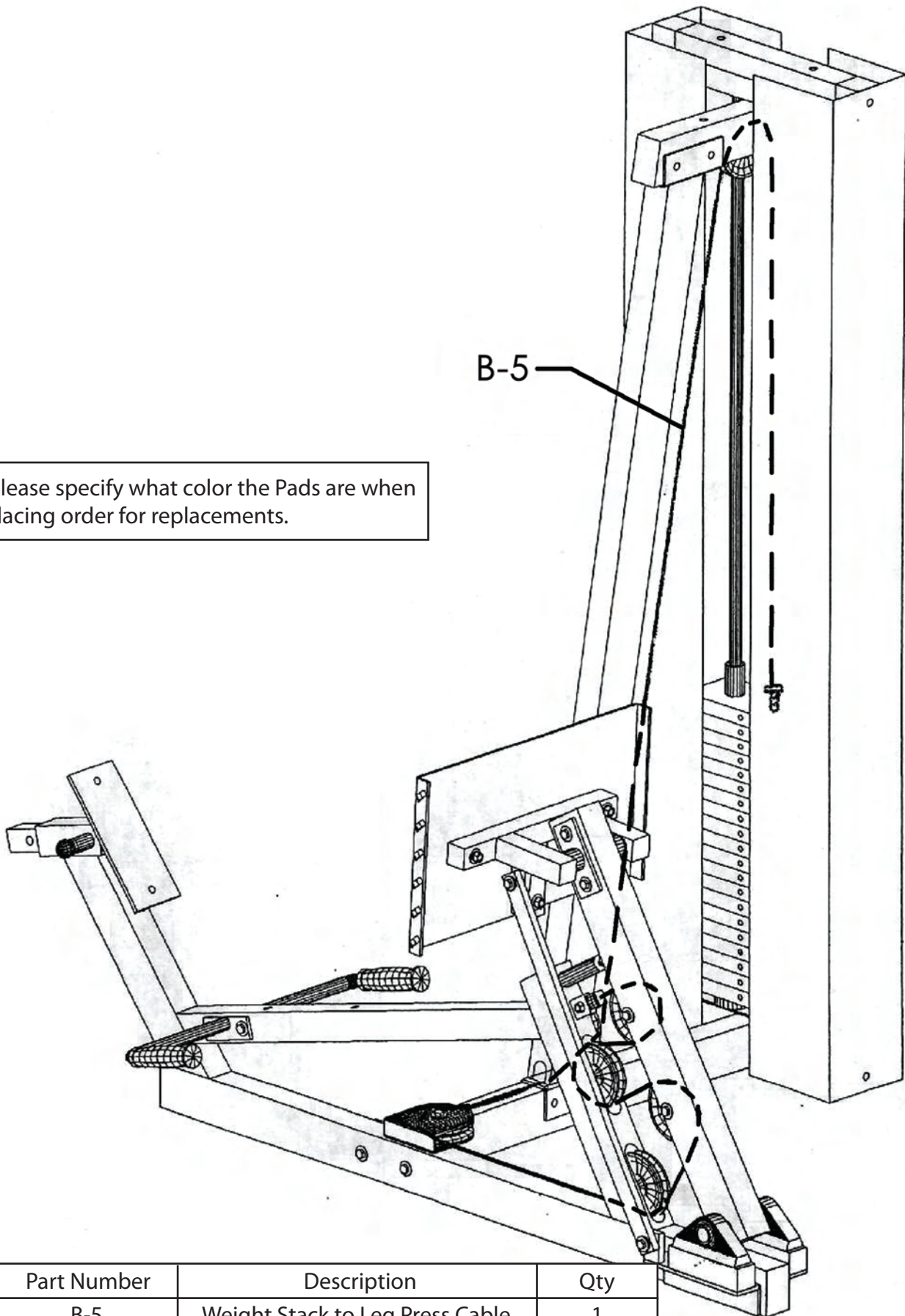


MC-3 CABLE DRAWINGS



* Please specify what color the Pads are when placing order for replacements.

Part Number	Description	Qty
B-5	Weight Stack to Leg Press Cable	1
*F-Pad	Seat Pad	1
*H-Pad	Back Pad	1